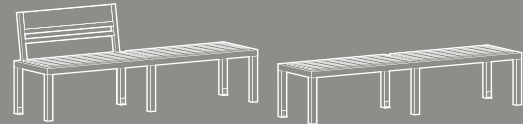


EP 1620  
32" x 22 3/8" x 78"

EP 1620 - XB  
32" x 24 1/2" x 78"



EP 1620 - 1B  
32" x 22 3/8" x 78"

EP 1621  
17 1/8" x 20 3/16" x 78"



EP 1620 - 3  
32" x 22 3/8" x 40"

EP 1621 - 3  
17 1/8" x 20 3/16" x 40"



EP 1622 - J  
17 1/8" x 28 1/4" x 43 7/8"

EP 1622 - L  
17 1/8" x 28 1/4" x 43 7/8"



EP 1623  
17 1/8" x 20 3/16" x 20 3/16"

EP 1624  
32" x 22 3/8" x 20 3/16"



EP 2820  
30" x 27 1/2" x 27 1/2"

EP 5920  
35" x 8" x 10 1/2"



EP 3520  
36 3/8" x 22" x 22"

EP 3520 - AT  
44 7/16" x 22" x 22"



EP 4720  
20 5/8" x 20 3/16" x 20 3/16"

EP 4721  
20 5/8" x 20 3/16" x 52"



www.equiparc.com 1.800.363.9264

Manufacturers of High Quality Site Furnishings since 1982

## SPECS

Frame: Aluminum components  
Finish: Polyester powder coated  
Slats: 2" x 3" (backrest 2" x 6")  
Fasteners: Stainless steel

## BENCHES

EP 1620 Bench 78" long with 2 backrests  
EP 1620 - XB Bench 78" long with opposite backrests  
EP 1620 - 1B Bench 78" long with 1 backrest  
EP 1621 Bench 78" long without backrest

EP 1620 - 3 Bench 40" long with backrest  
EP 1621 - 3 Bench 40" long without backrest

EP 1622 - J Corner bench (J)  
EP 1622 - L Corner bench (L)

## TABLE AND SEATINGS

EP 2820 Table  
EP 1623 Seat  
EP 1624 Seat with backrest

\* This table may receive an umbrella.

## BIKE RACK

EP 5920 Bike rack (holds 2) with lateral protection for the bike frame.

## WASTE RECEPTACLE

EP 3520 Waste receptacle  
\* Including a galvanized liner (Canada : 20 Imp gal / USA : 24 US gal).  
\* Aluminum lid with a central leaf.

Options :  
AT 2 way aluminum top  
RU Recycling unit

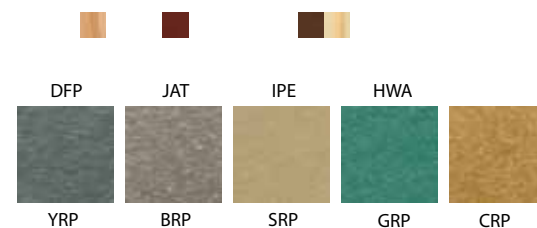
## PLANTERS

EP 4720 Square planter  
EP 4721 Rectangular planter

\* Liner included.

## AVAILABLE COVERINGS

DFP	Select Douglas Fir	YRP	Grey recycled plastic
JAT	Jatoba	BRP	Brown recycled plastic
IPE	Ipe	SRP	Sand recycled plastic
HWA	Hardwood	GRP	Green recycled plastic
		CRP	Red cedar recycled plastic



\* Concrete slabs and anchors available.  
\* Furniture may be anchored underground.

collection  
**25**

collection  
**25**

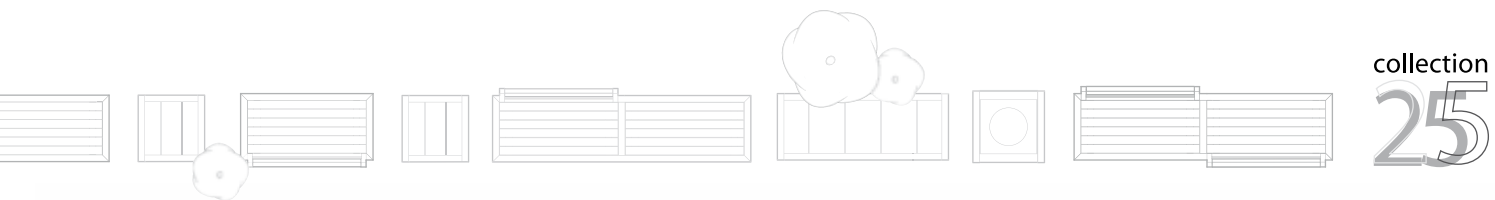
CREATE  
DESIGN  
ORGANIZE



This new furniture series highlights our 25th anniversary. Its unique design along with its high quality of fabrication make it uncommonly versatile in its applications. Reflecting Equiparc's standards.

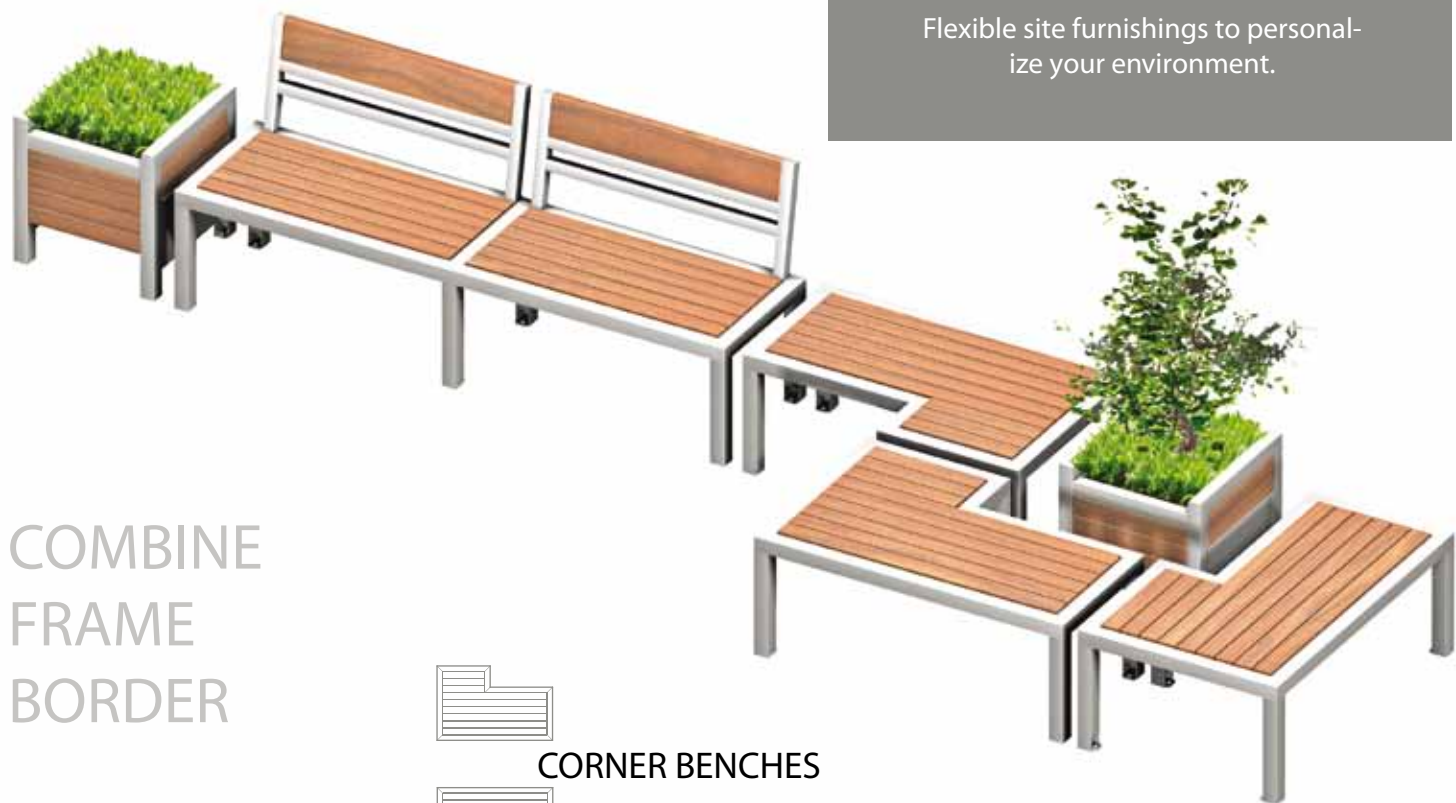
We provide the site furnishings, you create your space. Sparkle your imagination and have fun !





collection  
**25**

Flexible site furnishings to personal-  
ize your environment.



COMBINE  
FRAME  
BORDER



**CORNER BENCHES**

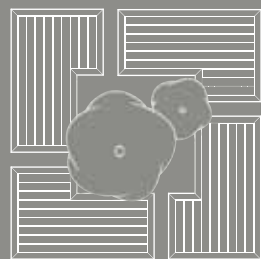
A unique shape allowing various configurations.



**BIKE RACK**

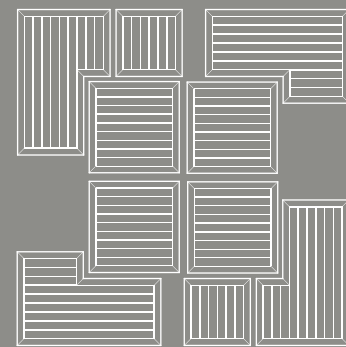


**WASTE RECEPTACLE**  
Also available recycling unit.

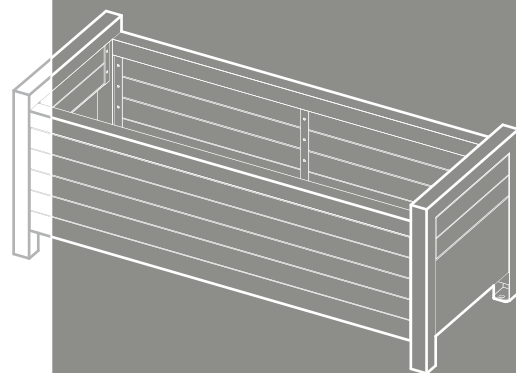


Collection 25 consists of modular  
sections which will easily adapt to  
on-site elements.

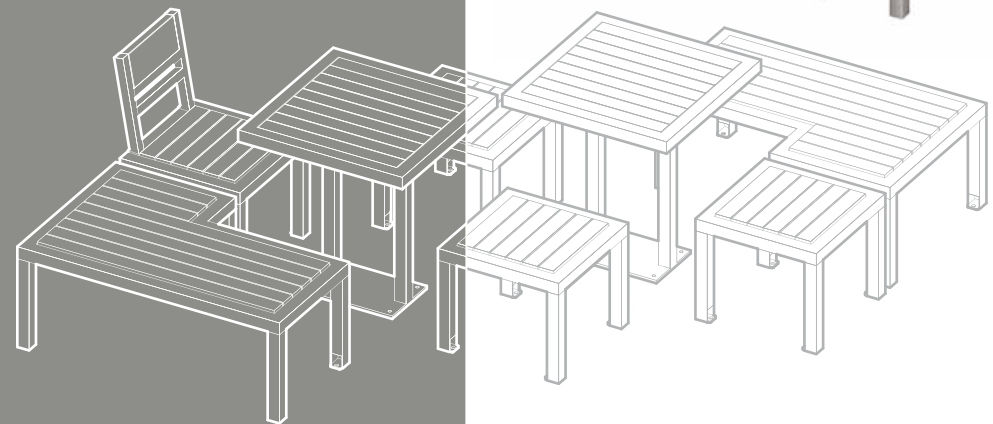
[www.equiparc.com](http://www.equiparc.com)



DISPOSE  
GATHER  
ENHANCE



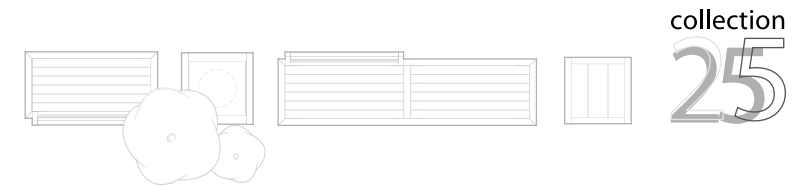
1.800.363.9264



**TABLE AND SEATINGS**



**PLANTERS**



collection  
**25**